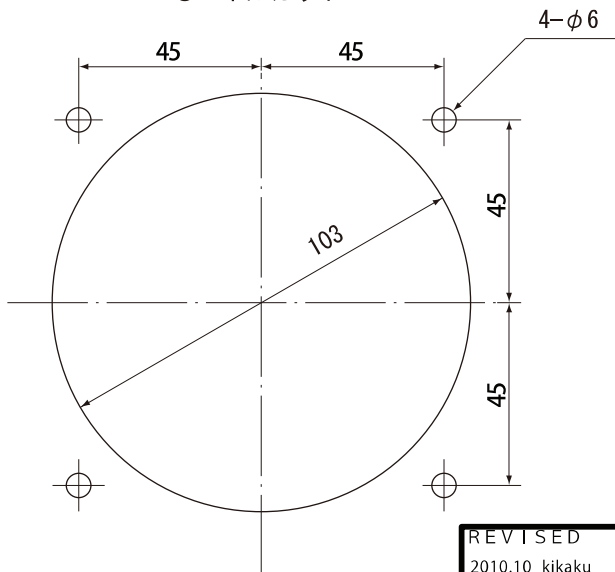


●パネルカット



H3寸法

直流電圧計・電流計、交流電圧計・電流計	8
交流電流計 (1~5A)	31
パワーオンディレイ付交流電圧計	53

単位:mm

TSURUGA ELECTRIC CORPORATION. All Rights Reserved.

REVISED 2010.10_kikaku	DATE	APPROVED BY	TITLE NRW-110
	SCALE	CHECKED BY	DRAWING No.
	DESIGNED BY	DRAWN BY	
TSURUGA ELECTRIC CORPORATION			